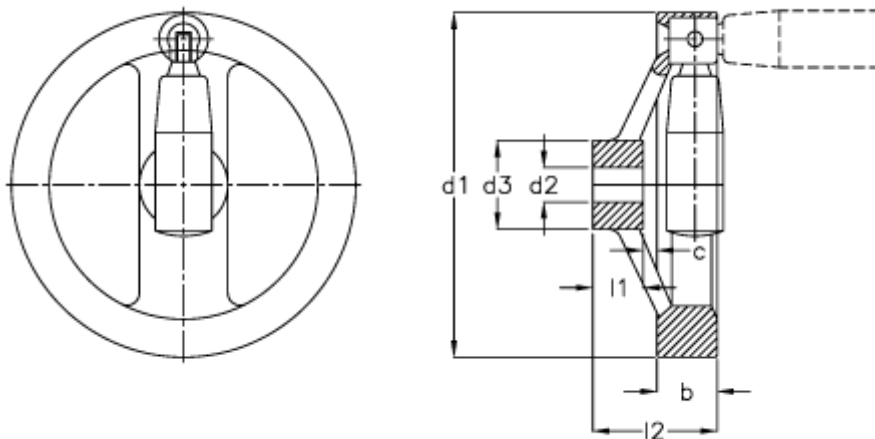


# Data Sheet



Article number: 201262341  
Description: E+G Handwheel  
GN 322.3-250-K22-R

## Measures



b	= 26.5	l2 = 61.0
c	= 10.0	
d1	= 250	
d2 H7	=	
d2 H7	= 22	
d3	= 48	
Handle	= 26	
l1	= 28	